

# Operating Manual



60Z-RGBW LED Zoom Profile Light



# Table of Contents

---

1. INTRODUCTION.....	2
2. DESCRIPTION OF THE FIXTURE.....	2
3. DIMENSIONS.....	2
4. WIRING DIAGRAM.....	3
5. CONTROL BOARD.....	3
6. OPERATION.....	4
1. Menu structure	
2. Master/Slave Setting	
7. ILLUMINATION DIAGRAM.....	5
8. DMX CHANNELS.....	6
1. DMX 12 Channel Mode	
2. DMX 6 Channel Mode	
3. Color Temperature (CCT) Ratio	
9. TECHNICAL SPECIFICATIONS.....	8
10. NOTICE.....	8

## 7. 《DMX512 Function》

In D M X mode, the LED display is normal when there is no DMX5 1 2 signal input, and the LED display is lights up when the DMX5 1 2 signal is input

.....

# LED Zoom Profile Light

## 3. 《CCS、Color Calibration System》

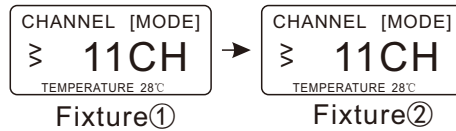
If more than two fixtures have different output colors, check that the whether correcting settings for each fixture are consistent, as show below ①, Factory setting:ON.



①

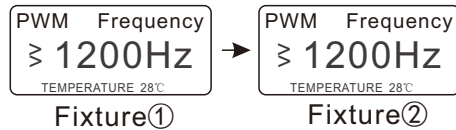
## 4. 《Channels Function》

This fixture has 6-channel mode and 11-channel mode selection. In DMX512 mode, If more than two fixtures have different settings, check whether the channel functions are consistent. as show below ①②, Factory setting[11CH].



## 5. 《PWM Function》

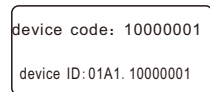
In DMX. Master/Slave mode, If the dimming smoothness and color output are different on more than two fixtures, check that whether the PWM settings are consistent. as show below ①②, Factory setting[1200Hz].



## 6. 《RDM Function》

If use the RDM function, that must use the console to search each fixture and change the fixture address code in the DMX 512 mode.

Identification Code: each fixture has an identification code as show below①, the identification code of each fixture is different, Please check he fixture label. ①



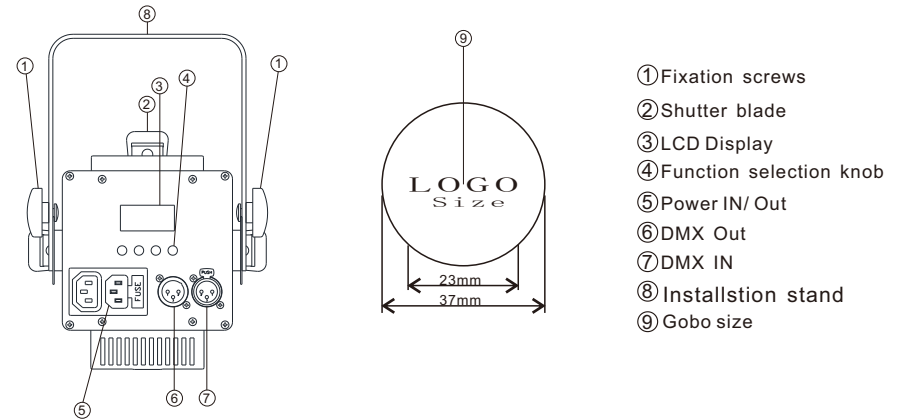
# LED Zoom Profile Light

## 1. INTRODUCTION

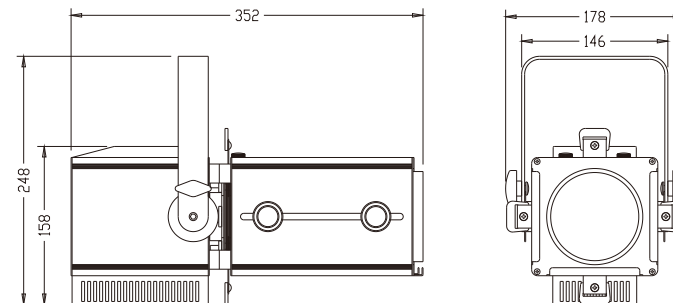
1. Thank you for having chosen a 60Z-RGBW LED Zoom Profile Light, please read this user manual carefully before you initially start-up.

2. This product is allowed to be operated with an alternating voltage of AC90-240V 50/60Hz and designed for indoor use only.

## 2. Description of the fixture



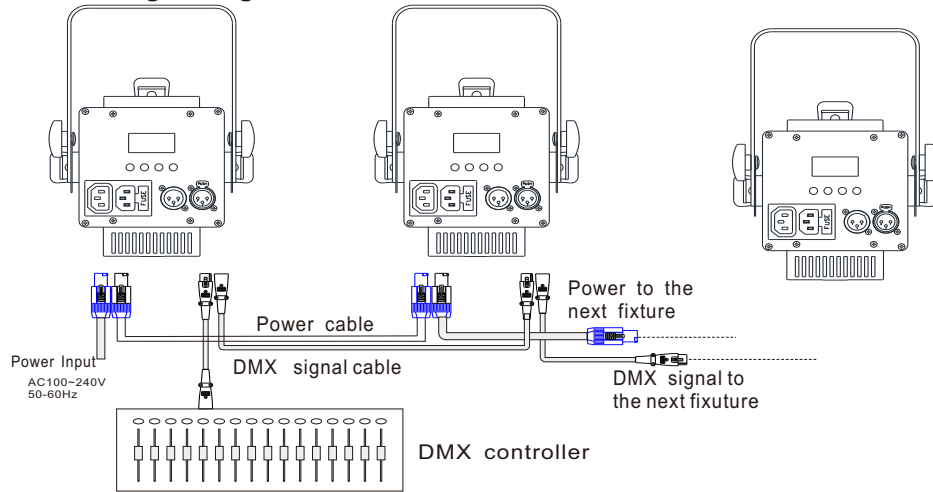
## 3. Dimensions



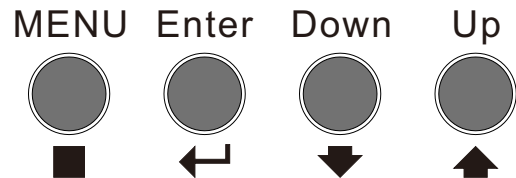
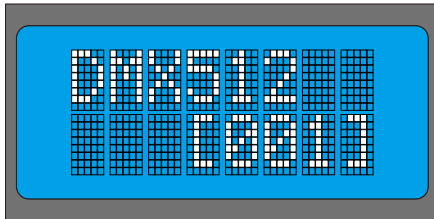
Unit: mm

# LED Zoom Profile Light

## 4. Wiring Diagram



## 5. Control Board



- Adjust the key setting function on the control panel
- Press “MENU” --->Display first -level menu--->
- Press “Enter” --->Display second-level menu--->
- Press “Down” & “Up” to adjust relevant function->
- Press “Enter” and “MENU” to quit current menu
- Press “Enter” ---> To next first-level menu.

# LED Zoom Profile Light

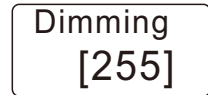
## 9. Technical Specifications

LED Source	COB 60W LED 4 IN 1, RGBW
Beam Angle	Manual Zoom 13-25° with high- efficiency optical system
Control	1.DMX512 2. RDM 3.Master/Slave Operation
DMX Channels	11CH/6CH
Connection	PowerCON IN & OUT; 3-Pin DMX In& Out(5 -Pin DMX available)
Voltage	Electronic full-range AC 100-240V 50/60Hz
Working Temperature	Indoor,IP20. -20°C-40°C (-4° F-104° F)
Power Consumption	60W
Dimensions (LxWxH)	35.2X17.8X15.8cm
Weight	4.3Kg

## 10. Please Note:

### 1. 《Dimming, Brightness Function》

Before using the fixture,you should check whether (Dimming,brightness function) is turned on ,As shown in figure①; the factory setting is on . This function should be checked when the fixture does not turn on when the lamp is turned on.It is not affected by this function in DMX mode



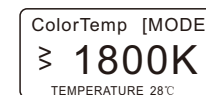
①

### 2. 《ColorTemp》

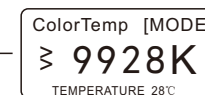
Master/Slave Mode, Colortemp(CCT)adjustable from 1800K to 9928K

As show below①②, factory setting as below③.

(If the Colortemp function is enabled, the R G B W function cannot be used alone. If you want to use the RGBW function alone, you must turn off Colortemp).



①



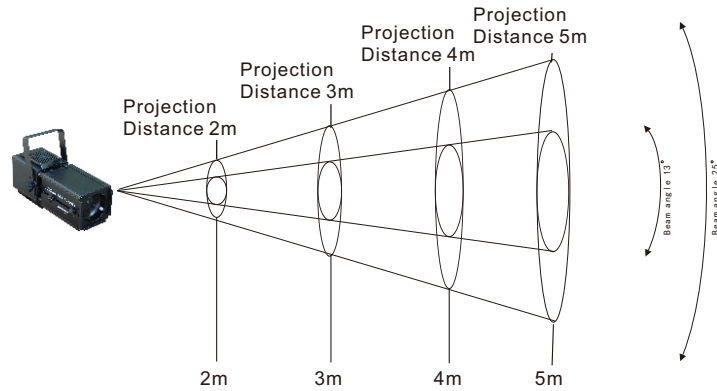
②



③

# LED Zoom Profile Light

## 7. Illumination Diagram



Illumination center/Lux	R	260	130	74	46	Beam angle 13°
	G	427	211	117	78	
B	111	58	34	25		
W	621	300	165	110		
mix	1356	655	365	235		
Beam Diameter/cm		75	110	125	160	

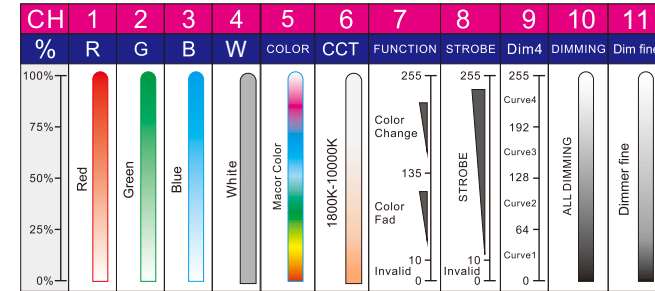
  

Illumination center/Lux	R	133	64	36	24	Beam angle 25°
	G	220	95	55	38	
B	58	27	18	14		
W	321	140	77	52		
mix	704	302	166	107		
Beam Diameter/cm		115	150	180	215	

# LED Zoom Profile Light

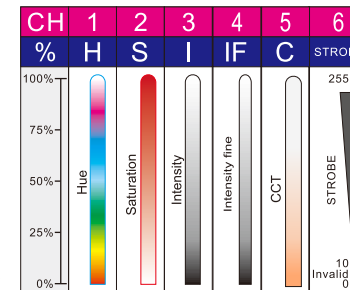
## 8. DMX Channels (This fixture has two DMX channel mode options)

### ① 11 Channels Function



channel 1-Red	000-255 levels linear dimming
channel 2-Green	000-255 levels linear dimming
channel 3-Blue	000-255 levels linear dimming
channel 4-White	000-255 levels linear dimming
channel 5-COLOR	000-255 levels RGBW color mixing
channel 6-CCT	000-255 levels linear dimming, CCT 1800K-10000K
channel 7-FUNCTION	000-009 levels without function
	010-127 levels fade function
	128-134 levels without function
channel 8-STROBE	135-255 levels auto function
	000-009 levels without function
	010-255 levels strobe function
channel 9-Dim4	000-063 first-level dimming delay function
	064-127 second-level dimming delay function
	128-191 third-level dimming delay function
	192-255 fourth-level dimming delay function
channel 10-DIMMING	000-255 levels master dimming
channel 11-Dim fine	000-255 levels dimmer fine

### ② HSIC Channels Mode



②

# LED Zoom Profile Light

## HSIC Channels Function

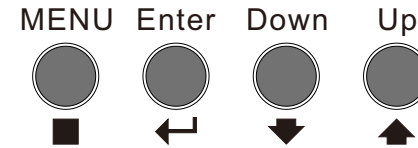
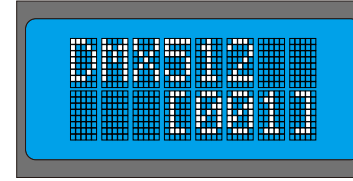
channel 1-Hue	000-255 levels RGBW color mixing
channel 2-Saturation	000-255 levels saturation adjustable
channel 3-Intensity	000-255 levels master dimming
channel 4-Intensity fine	000-255 levels dimmer fine
channel 5-CCT	000-255 levels linear dimming,CCT1800K-10000K
channel 6-STROBE	000-009 levels without function
	010-255 levels strobe function

## Note: Color Temperature (CCT) Ratio

DMX levels	CCT DATA	DMX levels	CCT DATA
000↔006	1800K↔2000K	131↔137	6000K↔6200K
006↔012	2000K↔2200K	137↔144	6200K↔6400K
012↔018	2200K↔2400K	144↔150	6400K↔6600K
018↔024	2400K↔2600K	150↔156	6600K↔6800K
024↔030	2600K↔2800K	156↔162	6800K↔7000K
030↔036	2800K↔3000K	162↔169	7000K↔7200K
036↔044	3000K↔3200K	169↔175	7200K↔7400K
044↔050	3200K↔3400K	175↔181	7400K↔7600K
050↔056	3400K↔3600K	181↔187	7600K↔7800K
056↔062	3600K↔3800K	187↔194	7800K↔8000K
062↔069	3800K↔4000K	194↔200	8000K↔8200K
069↔075	4000K↔4200K	200↔206	8200K↔8400K
075↔081	4200K↔4400K	206↔212	8400K↔8600K
081↔087	4400K↔4600K	212↔219	8600K↔8800K
087↔094	4600K↔4800K	219↔225	8800K↔9000K
094↔100	4800K↔5000K	225↔231	9000K↔9200K
100↔106	5000K↔5200K	231↔237	9200K↔9400K
106↔112	5200K↔5400K	237↔244	9400K↔9600K
112↔119	5400K↔5600K	244↔250	9600K↔9800K
119↔125	5600K↔5800K	250↔255	9800K↔10000K
125↔131	5800K↔6000K		

# LED Zoom Profile Light

## 6. Operation



LCD display	Function setting
DMX512 MODE	setting the DMX starting address from 001- 512
Dimmer R- [MODE]	setting the red color brightness 000-255
Dimmer G- [MODE]	setting the green color brightness 000-255
Dimmer B- [MODE]	setting the blue color brightness 000-255
Dimmer W- [MODE]	setting the white color brightness 000-255
Col_Temp [MODE]	setting the CCT 1800K-9928K
Dimming [MODE]	Dimming 000-255
Strobe [MODE]	setting the strobe speed 000-012
Fade [MODE]	setting the fade speed 000-012
Auto [MODE]	setting the auto speed 000-012
CCS [MODE]	correcting function ON-OFF
Channel [MODE]	setting DMX channels 11CH-6CH
PWM Frequency [MODE]	setting PWM frequency 1200Hz-20000Hz

### ■ Master/Slave Setting

1. Set the mast fixture to Dimmer or Strobe
2. Set each slave fixture to the same DMX001 (As show below)

